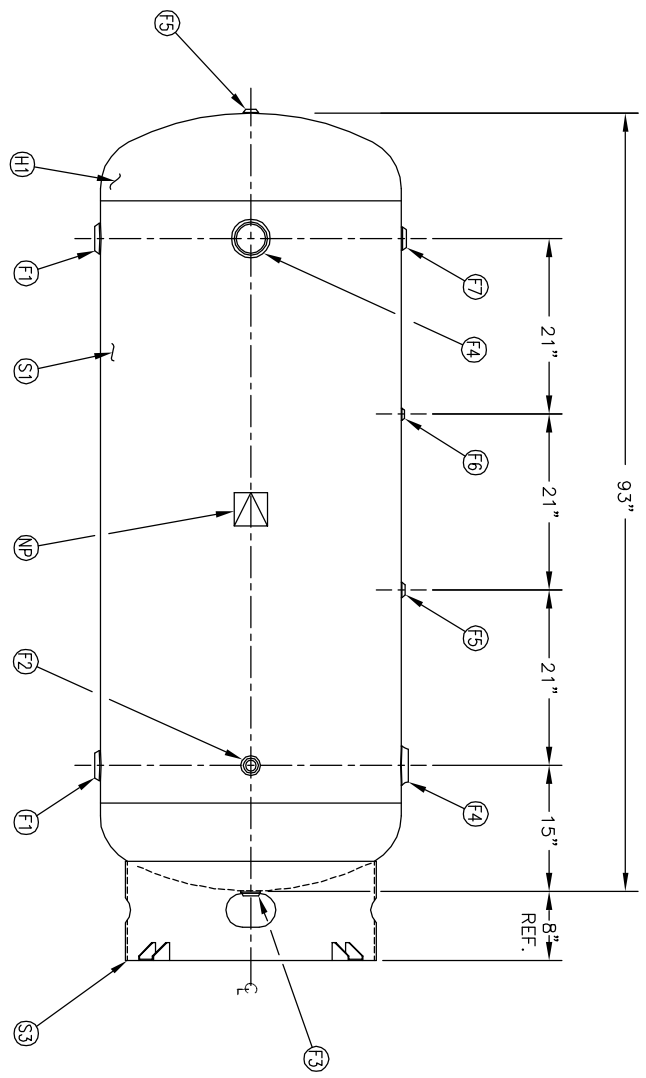
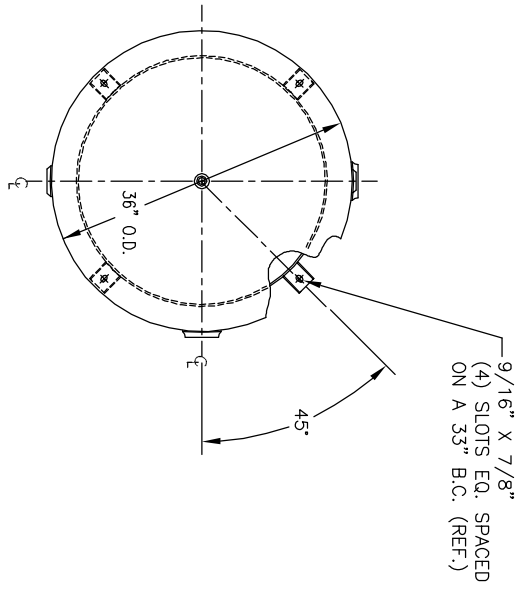


FIND NO.	NPT SIZE
F1	2
F2	1
F3	1
F4	3
F5	1/2
F6	1/4
F7	1-1/2

NO. QTY	DESCRIPTION	SPEC	SUB-DWG.
S1 1			
H1 2			
F1 2	2"-NPT 1500# RADIAL FLANGE	SA-181-70	
F2 1	1"-NPT 1500# RADIAL FLANGE	SA-181-70	
F3 1	1"-NPT 1500# FLAT FLANGE	SA-181-70	
F4 2	3"-NPT 1500# COUPLING STYLE RADIAL FLANGE	SA-181-70	
F5 2	1/2"-NPT 1500# FLAT FLANGE	SA-181-70	
F6 1	1/4"-NPT 1500# FLAT FLANGE	SA-181-70	
F7 1	1 1/2"-NPT 1500# RADIAL FLANGE	SA-181-70	
S3 1	STANDARD 8" HIGH SKIRT & CLIP ASSY. FOR 36" DIA.		AB5004
NP 1	ASME DATA PLATE	C1010	



ENG. DATE _____
D.C. DATE _____

REV	DATE	BY	REVISION	APP	XREF	REV	NOTES	SPECIFICATIONS
1		JC		JC				
2		JC						

		36" X 93" VERT. STANDARD AIR RECEIVER		Q:\3000	
O.D. 36 LGH. 93 MAWP 165 PSI @ 400 F RT- MDMT T@ PSI EXMT TEST CRN --		GAL. 400 SA. 78.53 WGT. 740 CU.FT. 50.33 CORR ALW SH HD CODE ASME SECT. VIII, DIV. 1 PER DATE OF DWG/LAST REV		DRAWN BY: <i>g. Read</i> APP. BY: <i>g. Read</i> DATE: _____ SCALE: NONE DRAWING NO. 302432	
WELD DETAILS: M-1932 STD. TOLERANCES (UNLESS OTHERWISE NOTED): M-2461					